

DIN-Signal M24+8FS-13,0C1-2

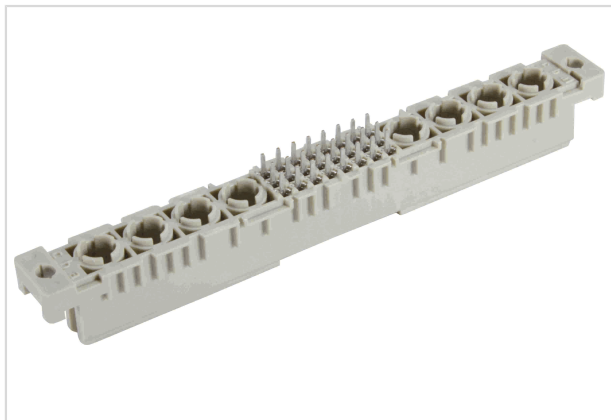


Image is for illustration purposes only. Please refer to product description.

| | |
|--------------------|---|
| Part number | 09 03 224 6401 |
| Specification | DIN-Signal M24+8FS-13,0C1-2 |
| HARTING eCatalogue | https://b2b.harting.com/09032246401 |

Identification

| | |
|----------------------------|---|
| Category | Connectors |
| Series | DIN 41612 |
| Identification | Type M |
| Element | Female connector |
| Description of the contact | Straight |
| Features | lead-free Rated current of special contacts: see data sheet of the selected contacts |

Version

| | |
|----------------------------|--|
| Termination method | Wave soldering termination |
| Connection type | Motherboard to daughtercard Mezzanine PCB to cable Cable to cable |
| Number of contacts | 32 |
| Number of signal contacts | 24 |
| Number of special contacts | 8 |
| Contact configuration | Rows a, b and c, positions 13, 14, ... , 19, 20 |
| Termination length | 13 mm |
| Coding | Coding with loss of contacts |
| PCB fixing | With fixing flange |

Technical characteristics

| | |
|--------------|---|
| Contact rows | 3 |
|--------------|---|



Pushing Performance
 Since 1945

Technical characteristics

| | |
|------------------------------------|---|
| Contact spacing (termination side) | 2.54 mm 7.62 mm |
| Contact spacing (mating side) | 2.54 mm 7.62 mm |
| Rated current | 2 A |
| Rated current | Rated current measured at 20 °C, see derating curve for details |
| Clearance distance | ≥1.2 mm |
| Creepage distance | ≥1 mm |
| Insulation resistance | >10 ¹² Ω |
| Contact resistance | ≤20 mΩ |
| Limiting temperature | -55 ... +125 °C |
| Insertion and withdrawal force | ≤23 N |
| Performance level | 2 acc. to IEC 60603-2 |
| Mating cycles | ≥400 |
| Test voltage U _{r.m.s.} | 1 kV |
| Isolation group | IIIa (175 ≤ CTI < 400) |
| Hot plugging | No |

Material properties

| | |
|---|--|
| Material (insert) | Thermoplastic resin, glass-fibre filled |
| Colour (insert) | RAL 7032 (pebble grey) |
| Material (contacts) | Copper alloy |
| Surface (contacts) | Noble metal over Ni Mating side Sn over Ni Termination side |
| Material flammability class acc. to UL 94 | V-0 |
| RoHS | compliant |
| ELV status | compliant |
| China RoHS | e |
| REACH Annex XVII substances | Not contained |
| REACH ANNEX XIV substances | Not contained |
| REACH SVHC substances | Not contained |
| California Proposition 65 substances | Yes |
| California Proposition 65 substances | Antimony trioxide Nickel |



Pushing Performance
 Since 1945

Material properties

Requirement set with Hazard Levels R26

Specifications and approvals

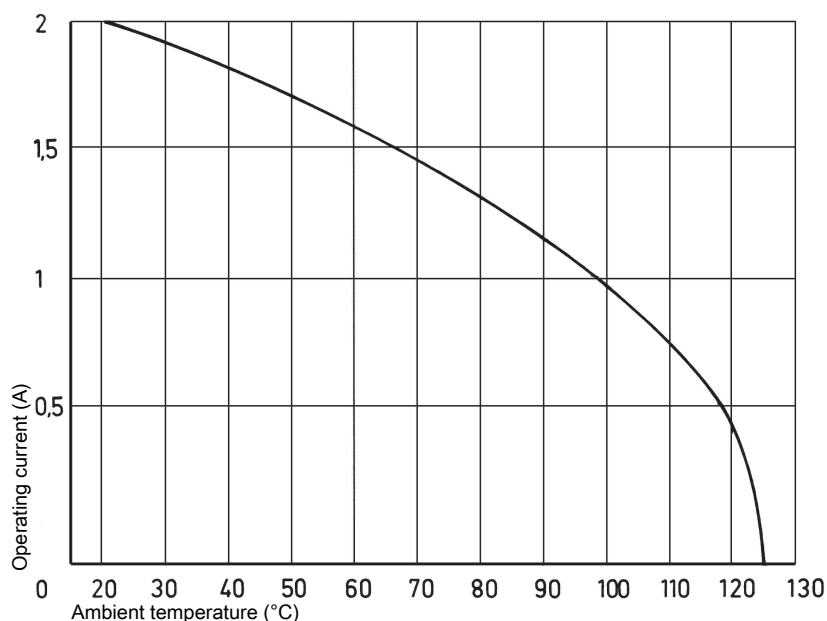
| | |
|------------------------|--|
| Specifications | IEC 60603-2 |
| UL / CSA | UL 1977 ECBT2.E102079 CSA-C22.2 No. 182.3 ECBT8.E102079 |
| Railway classification | F4/I3 acc. to NFF 16-101/102 |

Commercial data

| | |
|--------------------------------|--|
| Packaging size | 20 |
| Net weight | 10.54 g |
| Country of origin | Germany |
| European customs tariff number | 85366990 |
| GTIN | 5713140005976 |
| eCl@ss | 27460201 PCB connector (board connector) |

Current carrying capacity

The current carrying capacity of the connectors is limited by the thermal load capability of the contact element material including the connections and the insulating parts. The derating curve is therefore valid for currents which flow constantly (non-intermittent) through each contact element of the connector evenly, without exceeding the allowed maximum temperature.
 Measuring and testing techniques acc. to IEC 60512-5-2



Coding with loss of contacts

To avoid cross-plugging of adjacent connectors a coding system is required.

The coding is achieved by means of a code pin which is inserted into the selected chamber of the female connector (the contact cavity must be filled with a female contact!).

The opposite male contact must be removed with the help of the specially designed tool. It's recommended to use a number of code pins in relation to the total number of contacts per connector: 3 pins for 64 contacts, 7 pins for 160 contacts

Coding pin 09 02 000 9901

Removal tool for male contacts 09 99 000 0133

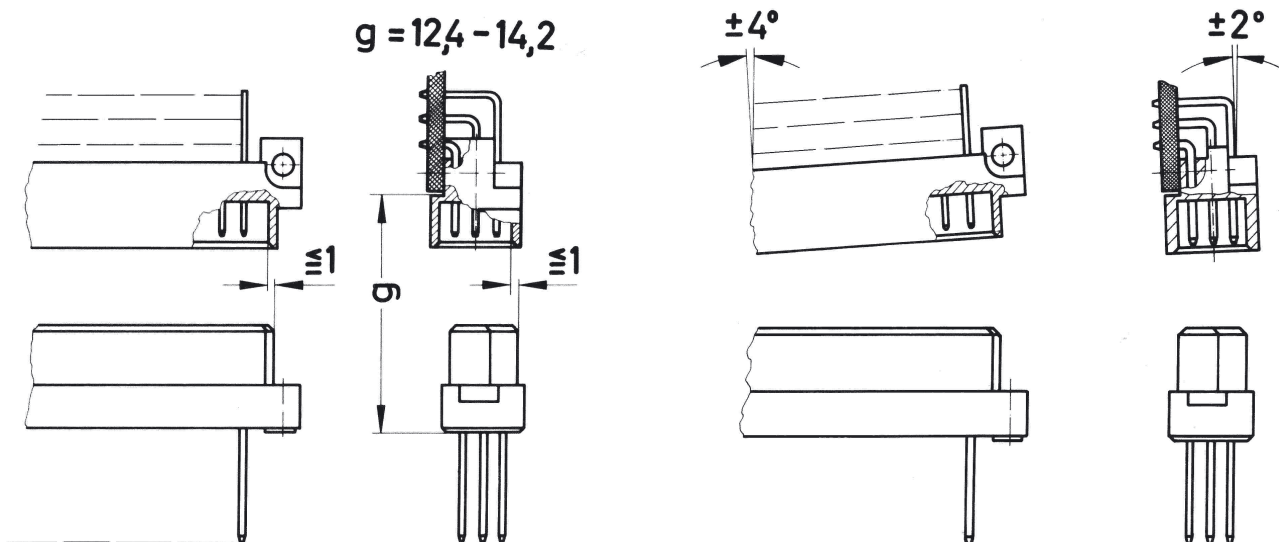
Soldering instructions

The connectors should be protected when being soldered. Otherwise, they might become contaminated as a result of soldering operations or deformed as a result of overheating.

1) For prototypes and short runs protect the connectors with an industrial adhesive tape, e.g. Tesaband 4331 (www.tesa.de). Cover the underside of the connector moulding and the adjacent parts of the pcb as well as the open sides of the connector. This will prevent heat and gases of the soldering apparatus from damaging the connector. About 140 + 5 mm of the tape should suffice.

2) For large series a jig is recommended. Its protective cover with a fast action mechanical locking device shields the connectors from gas and heat generated by the soldering apparatus. As an additional protection a foil can be used for covering the parts that should not be soldered.

Mating conditions



To ensure reliable connections and prevent unnecessary damage, please refer to the application data diagrams. These recommendations are set out in IEC 60603-2.

The connectors should not be coupled and decoupled under electrical load.